

LUXMAN

SUPER AUDIO CD PLAYER
D-10X



Accuracy, sensitivity, musicality



Welcome to the ultimate expression of musicality. Our flagship SACD/CD player, the D-10X builds on the brilliant heritage of our acclaimed D-08u, adding more playback capabilities, the latest conversion technology, a robustly reinforced mechanism and a refined analog output stage.

Introducing LxDTM-i – the LUXMAN original Disc Transport Mechanism (improved).

Here is the world premiere of the ROHM Semiconductor MUS-IC™ BD34301EKV digital-to-analog converter (as of May 2020).

Introducing ODNF-u – Only Distortion Negative Feedback (ultimate) – in a fully balanced output amplifier.

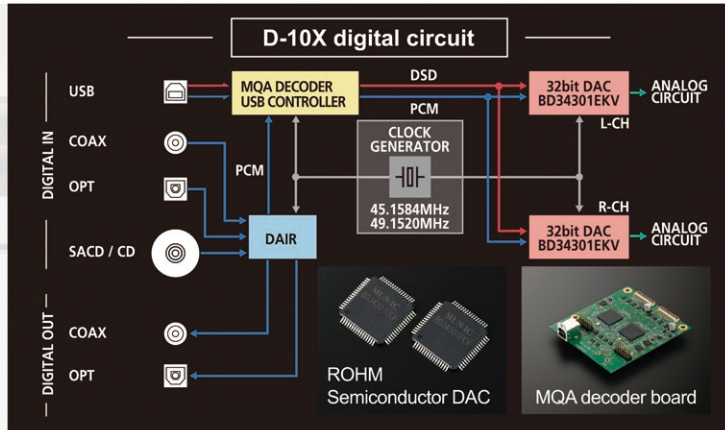
Well-grounded in fundamental principles and endowed with the most advanced mechanical, digital and analog technology, the LUXMAN D-10X opens the curtain on the ultimate soundstage.

Latest LxDTM-i transport

To minimize even the slightest distortions triggered by vibration and resonance, we upgraded the disc drive, creating the LxDTM-i – LUXMAN original Disc Transport Mechanism (improved). We enclose the drive in 8 mm thick aluminum sides that extend to the front and rear panels, plus a 5 mm thick steel top plate. For added protection, the physical mounting system forms an integrated structure that supports the side frame. Together with an improved disc reading mechanism, the result is playback of an altogether higher order.



LUXMAN's own LxDTM-i drive

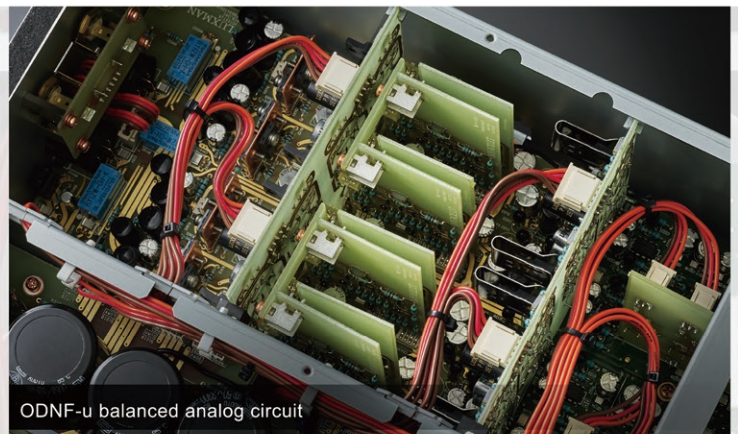


Advanced digital processing

The D-10X marks the debut of the world's finest D/A converter, the MUS-IC™ BD34301EKV from ROHM Semiconductor. Used in dual mono configuration, these converters combine top-flight specs with an impressive suite of silicon-level refinements. The player also supports the award-winning Master Quality Authenticated technology for both MQA CDs and MQA files.

ODNF-u balanced analog circuit

Our years of ODNF amplifier development have resulted in ODNF-u – Only Distortion Negative Feedback (ultimate) – which debuts on the D-10X. This fully balanced configuration maximizes error detection accuracy, minimizing distortion. You'll hear far greater expressive power with enhanced microdynamics across the audio spectrum, especially in the higher frequencies. The stage also achieves a natural and smooth waveform without the conventional output filters. The secret is the tailored, gradual 1st order filter × 3 band processing inside the circuitry. Superb circuitry deserves a strong chassis. To protect the analog signal from changes in ground impedance and magnetic fields, the D-10X incorporates a composite, loop-less chassis. Well shielded, the chassis is also effective at blocking digital noise.



ODNF-u balanced analog circuit

Substantial power supplies

To provide highly abundant, highly stable power, we increased the power transformer capacity by 27% compared to our previous flagship. We also provide independent regulators for each circuit along with formidable filter capacitors for the ultimate stability.

Oversized power transformer and large filter capacitors

Versatile digital inputs

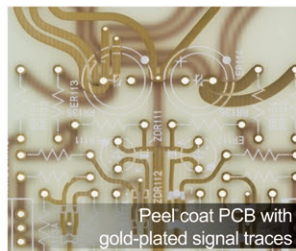
To complement advanced audio systems, we provide one coaxial and two optical inputs, plus a USB input that supports both DSD and PCM. In addition to isochronous transfer, the USB supports four modes of Bulk Pet® transfer that optimize the processor load between the source and the D-10X for improved transparency.



Digital inputs and outputs

Unique LUXMAN PCB layout

Dielectric effects, unwanted resistance and stray capacitance in printed circuit board patterns can all degrade the audio signal. LUXMAN suppresses these effects with generously thick 100 µm copper foil, gold-plated connections and peel coat removal of the solder mask. In addition, our gently curved wiring pattern delivers smooth signal flow.



Peel coat PCB with gold-plated signal traces

4X zoom display

You select your listening position carefully. The 4X zoom function makes the fluorescent display easy to read from that seat. When playing MQA CDs and files, a three-color indicator confirms decode status: Studio (blue), Authentic (green) and Renderer (magenta).



Fluorescent display with zoom mode

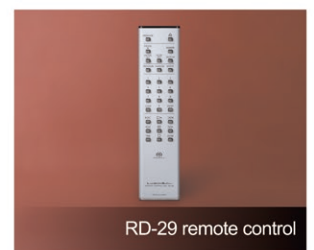
Premium selected components

No detail is too small for LUXMAN engineers to consider and refine. The RCA output jacks apply gold plating over an alloy that combines the conductivity of copper with the durability of brass. We use rugged Neutrik XLR terminals for the balanced outputs. In addition, density gradient cast iron insulator feet provide firm support, while diffusing shelf-borne resonance.

Gold-plated copper alloy jacks

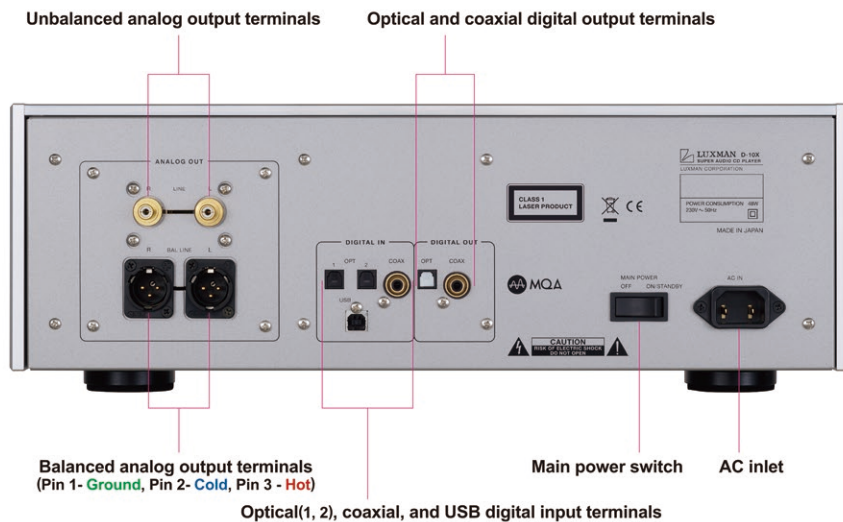
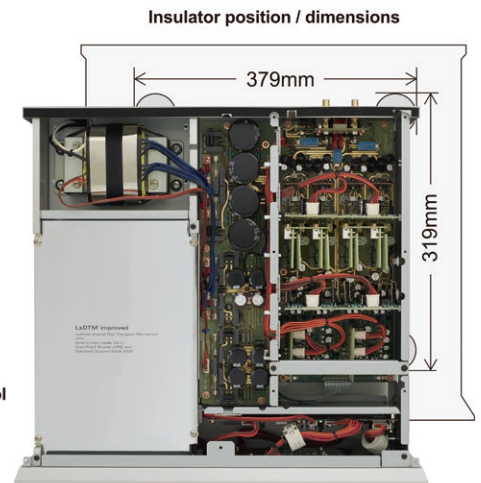
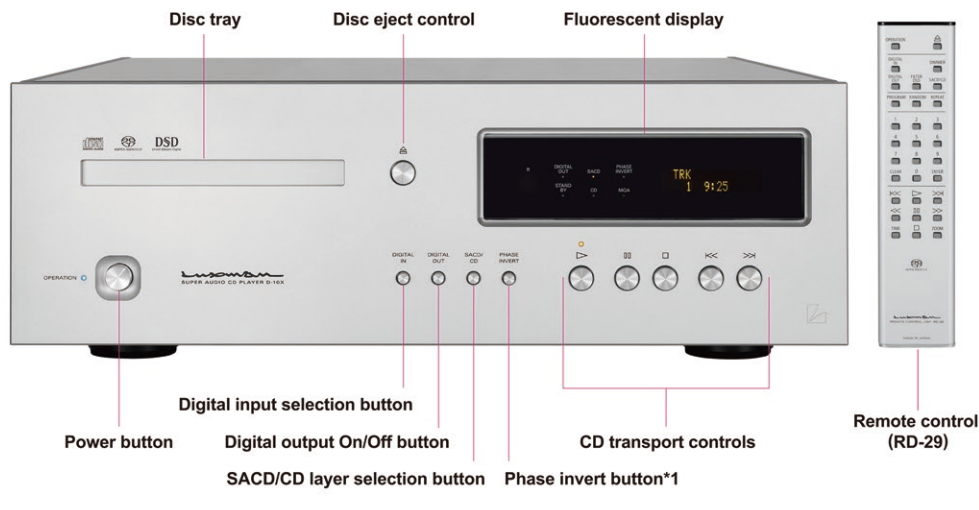
Ergonomic IR remote control

The supplied aluminum remote control has the same blasted white finish as the player's front panel. Without leaving the ideal listening position, you can use the numeric keypad, transport controls and display dimmer.



RD-29 remote control

D-10X SUPER AUDIO CD PLAYER



SPECIFICATIONS

Supported discs	SACD, CD (CD-R, CD-RW, MQA-CD)
Supported sampling frequencies	USB input (PCM) : 44.1 kHz, 48 kHz, 88.2 kHz, 96 kHz, 176.4 kHz, 192 kHz, 352.8 kHz, 384 kHz, 705.6 kHz, 768 kHz (16, 24, 32-bit) USB input (DSD) : 2.8 MHz, 5.6 MHz, 11.2 MHz, 22.4 MHz (1-bit) Coaxial / Optical input : 44.1 kHz, 48 kHz, 88.2 kHz, 96 kHz, 176.4 kHz, 192 kHz (16, 20, 24-bit)
Analog output voltage / impedance	Unbalanced : 2.4 V / 300 Ω, Balanced : 2.4 V / 600 Ω For SACD / DSD : 1.3 V
Frequency response	CD : 5 Hz to 20 kHz (+0, -1.0 dB) SACD : 5 Hz to 38 kHz (+0, -3.0 dB) USB : 5 Hz to 47 kHz (+0, -3.0 dB)
Total harmonic distortion	CD : 0.0018 %, SACD : 0.001 %, USB : 0.0015 %
S/N ratio (IHF-A)	CD : 125 dB, SACD : 121 dB, USB : 125 dB
D/A converter	ROHM BD34301EKV (monaural mode) x 2
Power supply	230 V~(50 Hz) / 115 V~(60 Hz)
Power consumption	48W
Dimensions	440(W) x 154(H) x 418(D) mm front side knob of 2 mm and rear side terminal of 13 mm included in depth
Net weight	22.4 kg
Accessories	Remote control (RD-29), Power cable

*1 Pressing the phase invert button allows balance output terminal No.2 to change HOT, and No.3 to COLD.

Bulk Pet is a registered trademark of Interface Co., Ltd.

MUS-IC is a registered trademark of ROHM Co., Ltd.

Apple, Mac, Mac OS, OS X, macOS and Macintosh are trademarks of Apple Inc., registered in the U.S. and other countries.

Microsoft and Windows are registered trademarks of Microsoft Corporation in the U.S. and/or other countries.

Sound Wave Logo is a registered trademark of MQA Limited. (c) 2018. MQA is a registered trademark of MQA Limited. (c) 2018. MQA-CD is a registered trademark of MQA Limited. (c) 2017.

*The described company names and product names are trademarks or registered trademarks of each company.

LUXMAN's original playback software

For playing back music from a PC, we recommend our LUXMAN Audio Player application. This software supports FLAC, ALAC, WAV, AIFF, MP3, DSF and DSDIFF files. You can download the software for Windows and macOS from the official LUXMAN website.



⚠ Safety Cautions

To ensure correct use of this product, read the "Owner's Manual" prior to use. Failure to follow all safeguards can result in fire, electric shock, or other accidents.

LUXMAN

LUXMAN CORPORATION, 1-3-1 Shinyokohama, Kouhoku-ku, Yokohama-shi, Kanagawa 222-0033, Japan

Tel: +81-45-470-6980 Fax: +81-45-470-6997 www.luxman.co.jp

LUXMAN reserves the right to alter the design and specifications without notice.

All rights reserved LUXMAN CORPORATION

